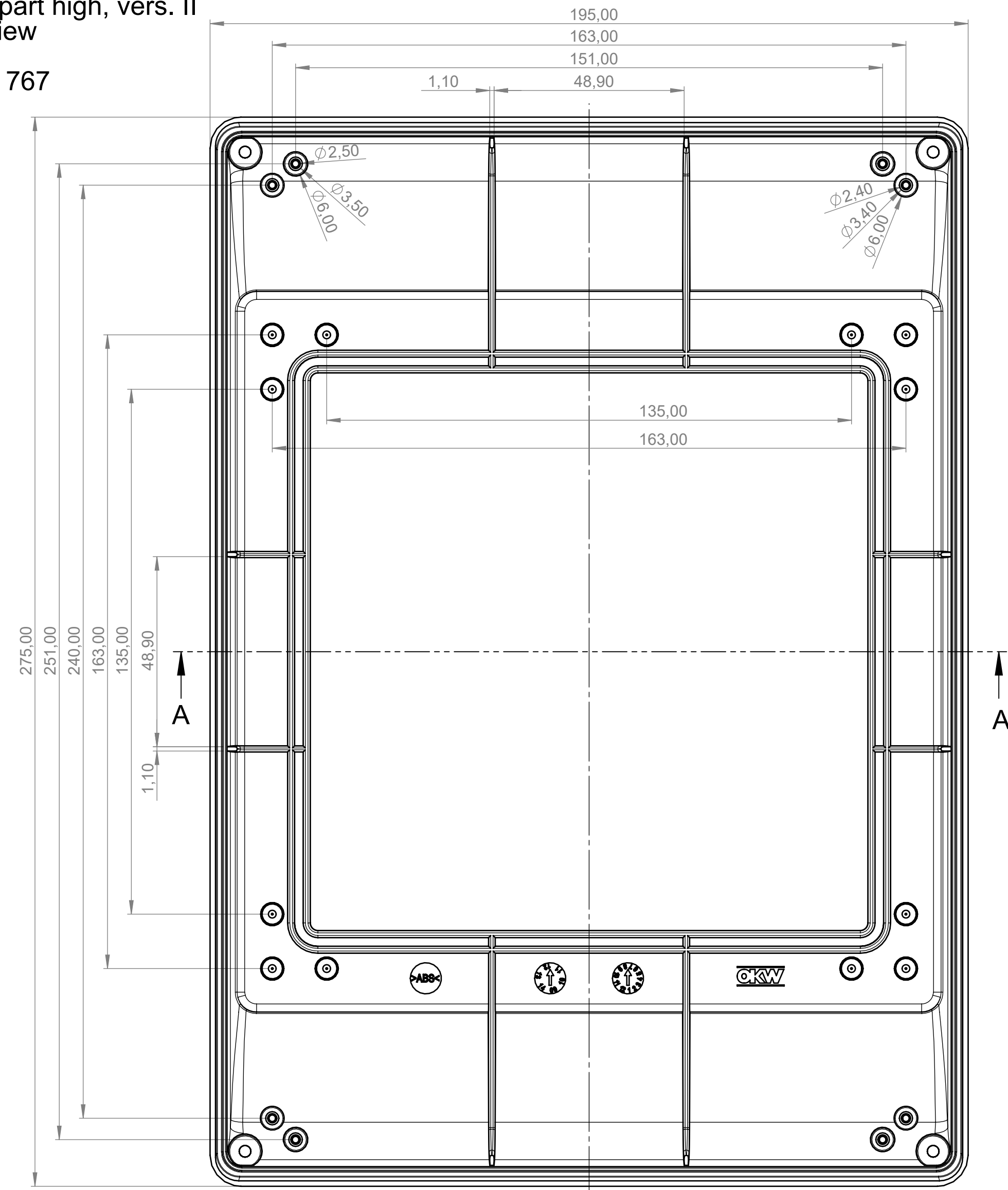
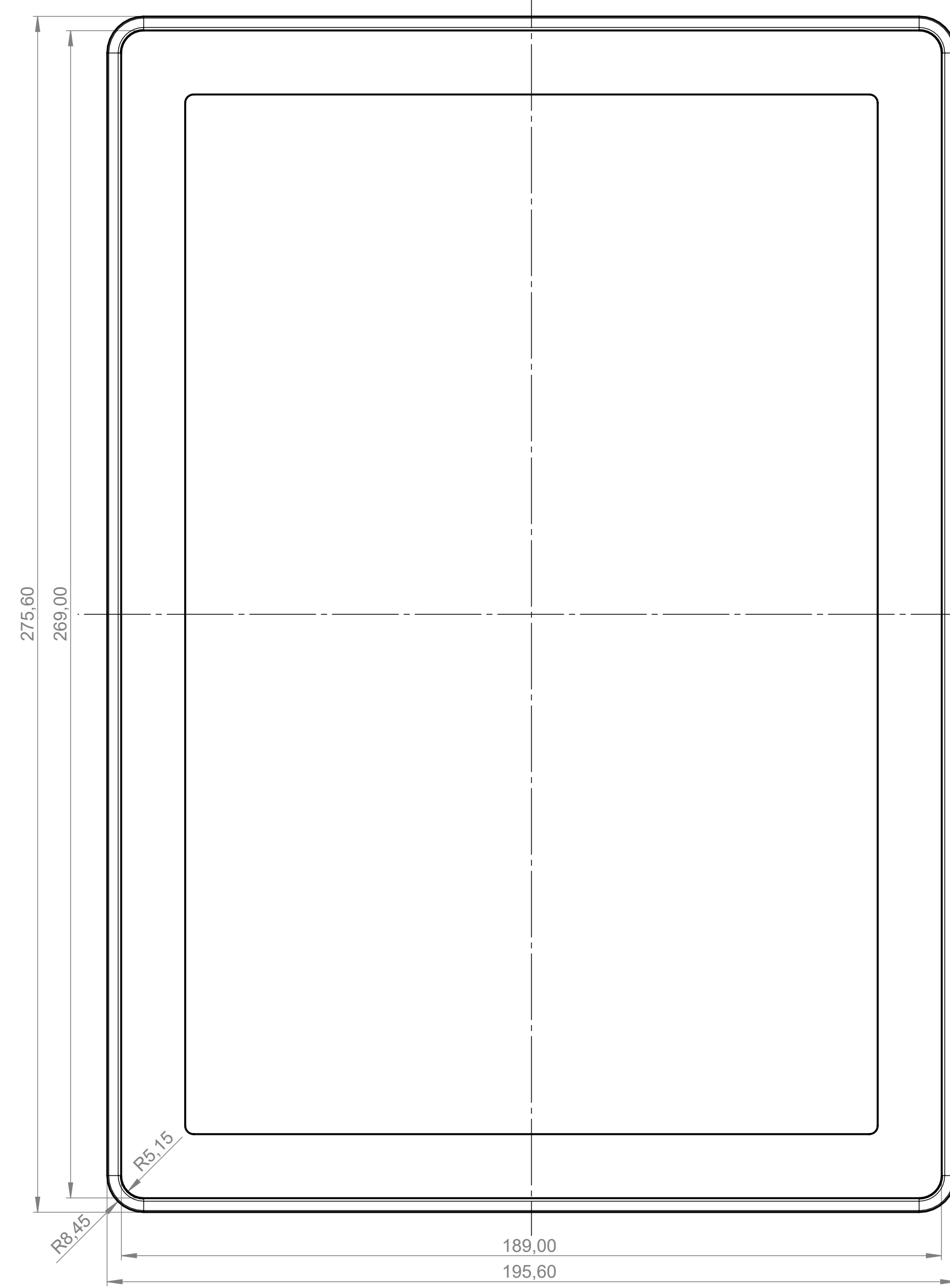


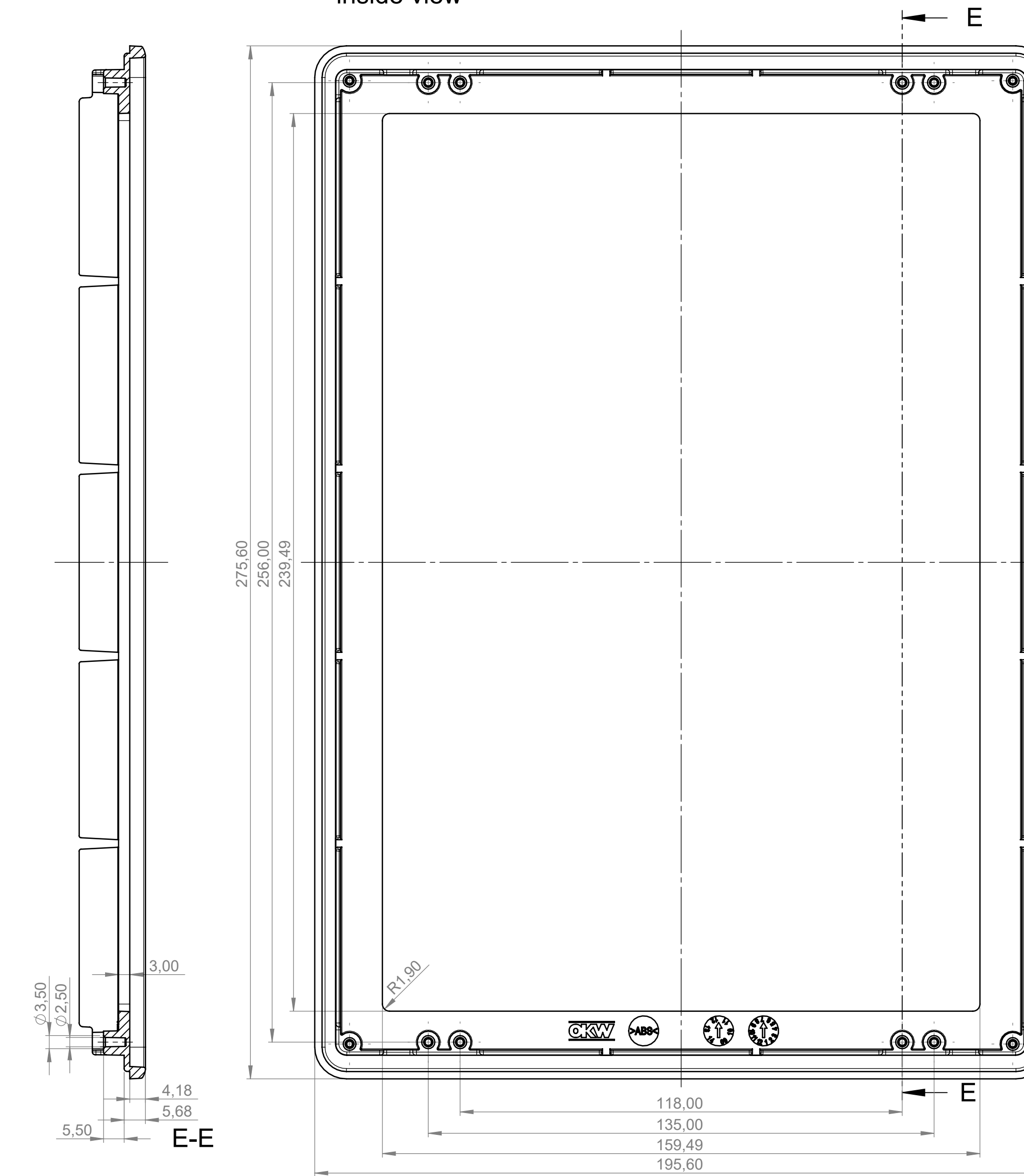
Unterteil hoch, Ausf. II  
Innenansicht  
Bottom part high, vers. II  
inside view  
B 40 46 767



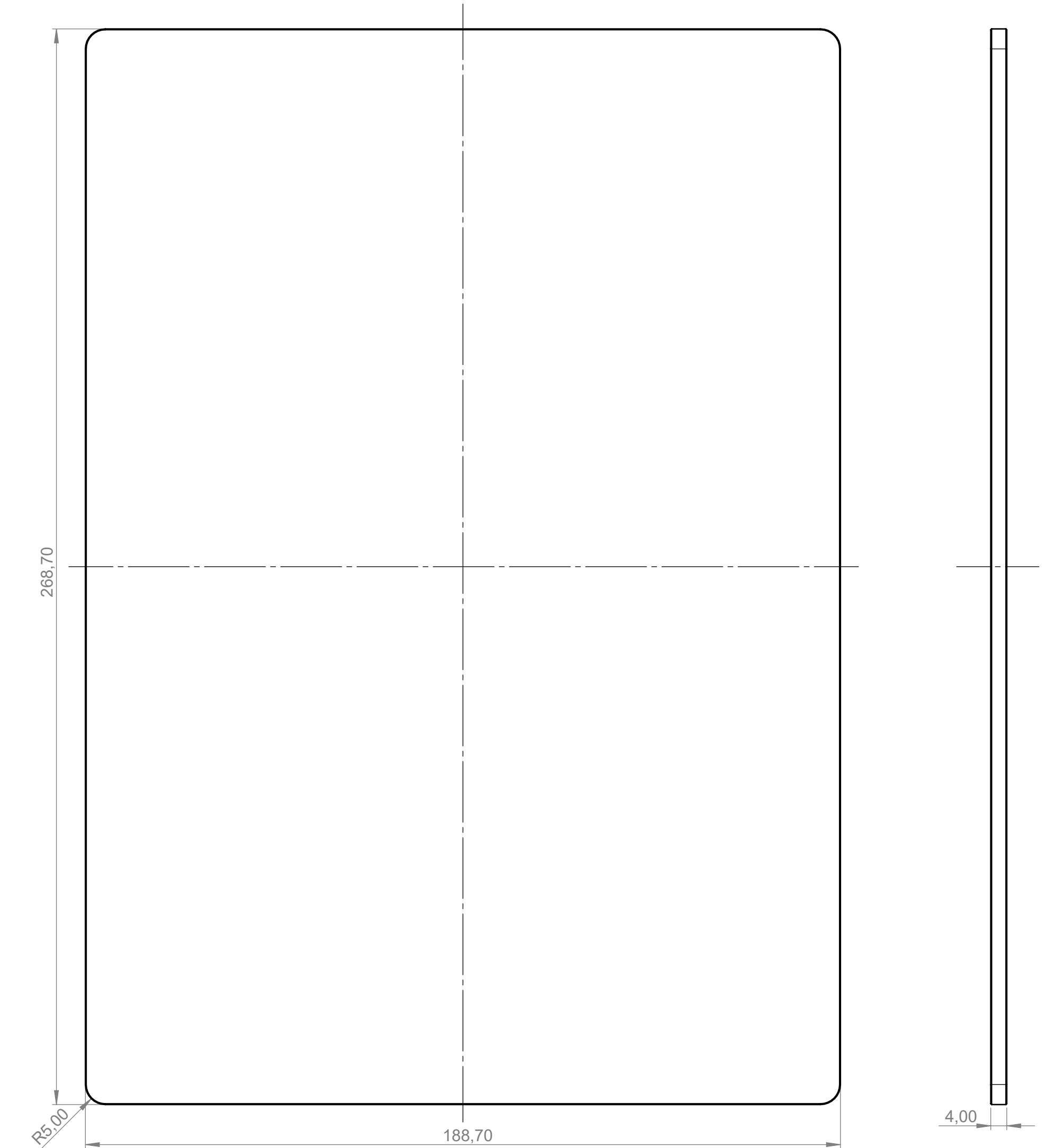
Montageplatte für Glaspanel  
Aussenansicht  
Mounting plate for glass panel  
outside view  
B 41 46 203



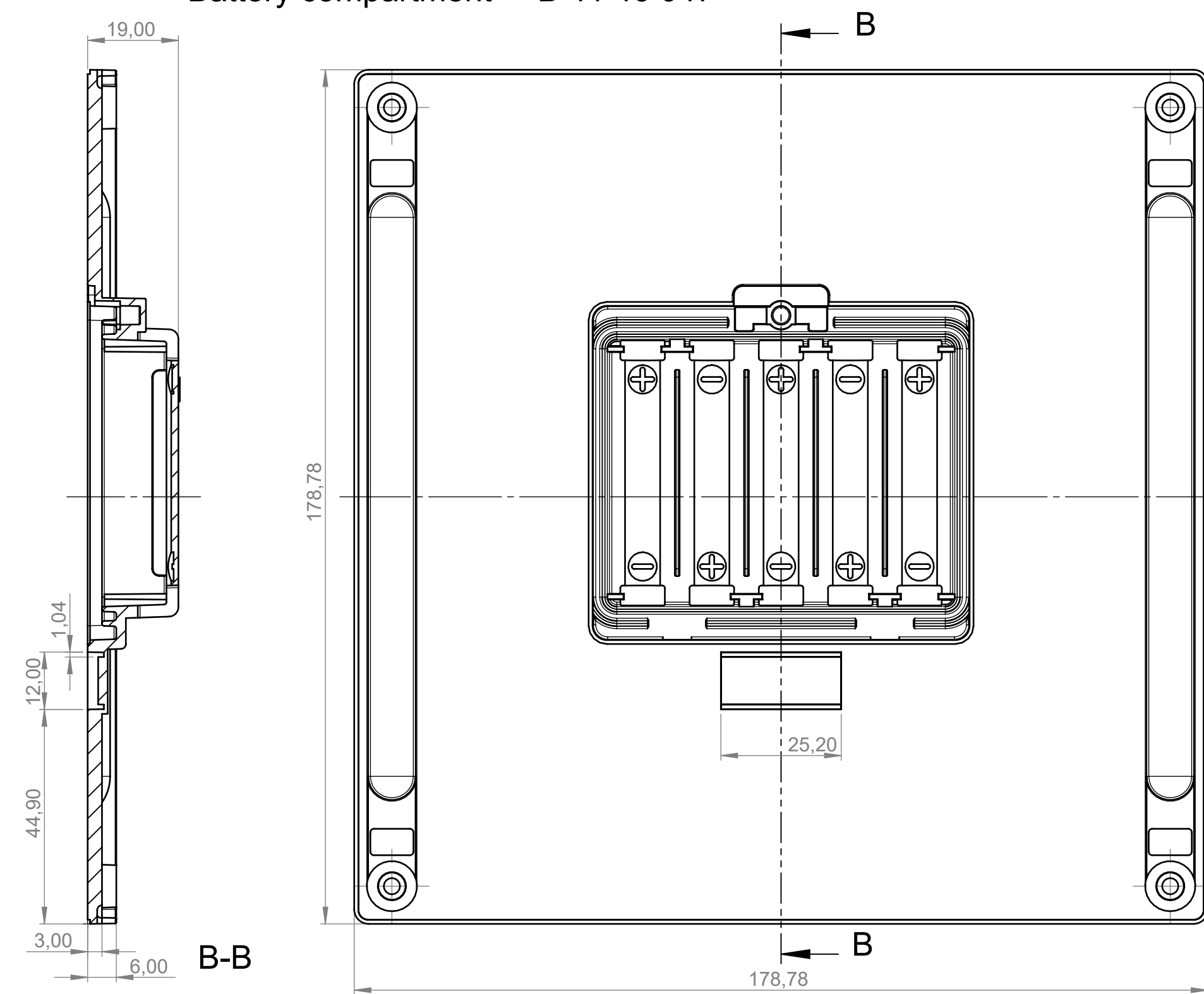
Montageplatte für Glaspanel  
Innenansicht  
Mounting plate for glass panel  
inside view  
B 41 46 203



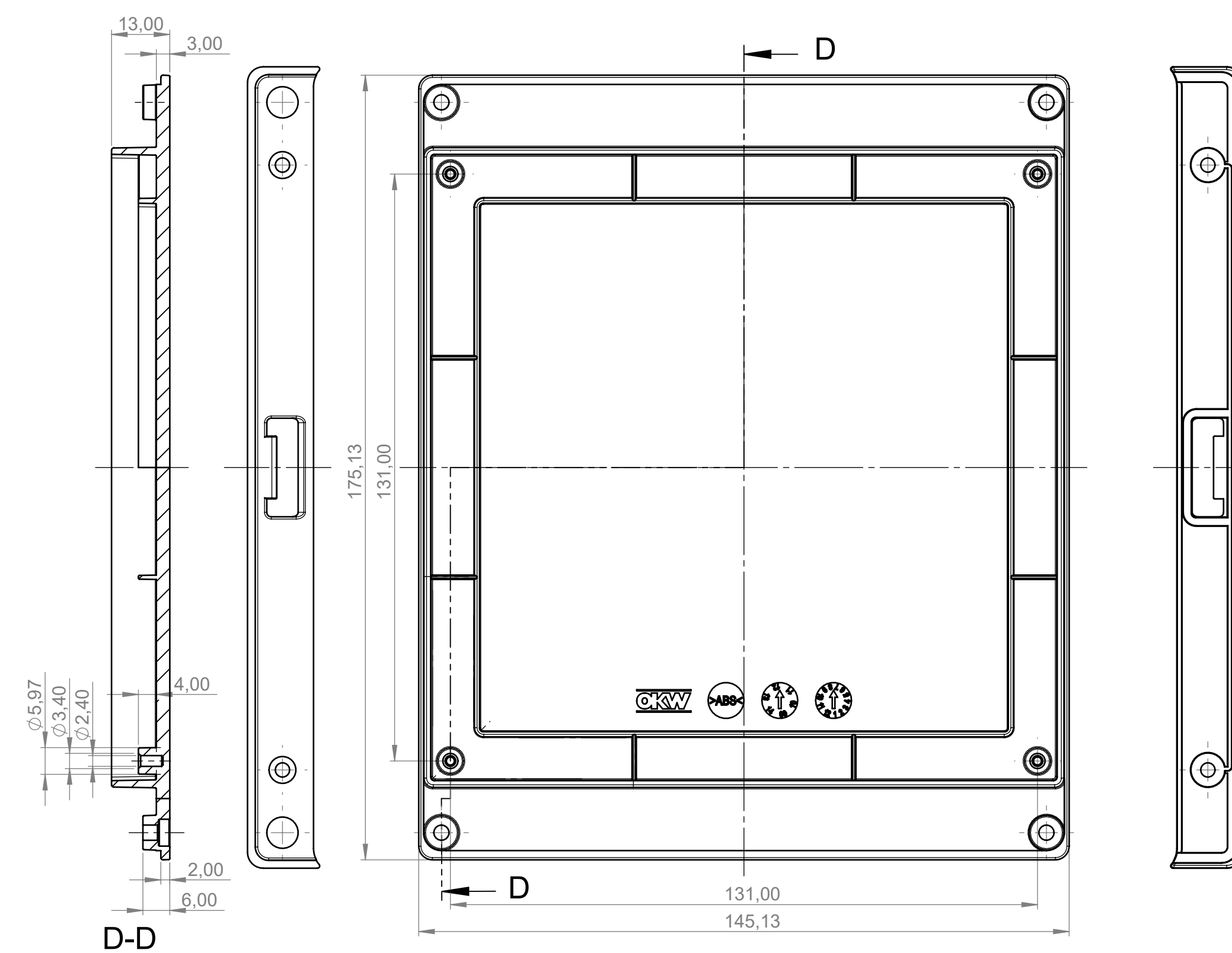
Glaspanel  
Glass panel  
B 41 46 203



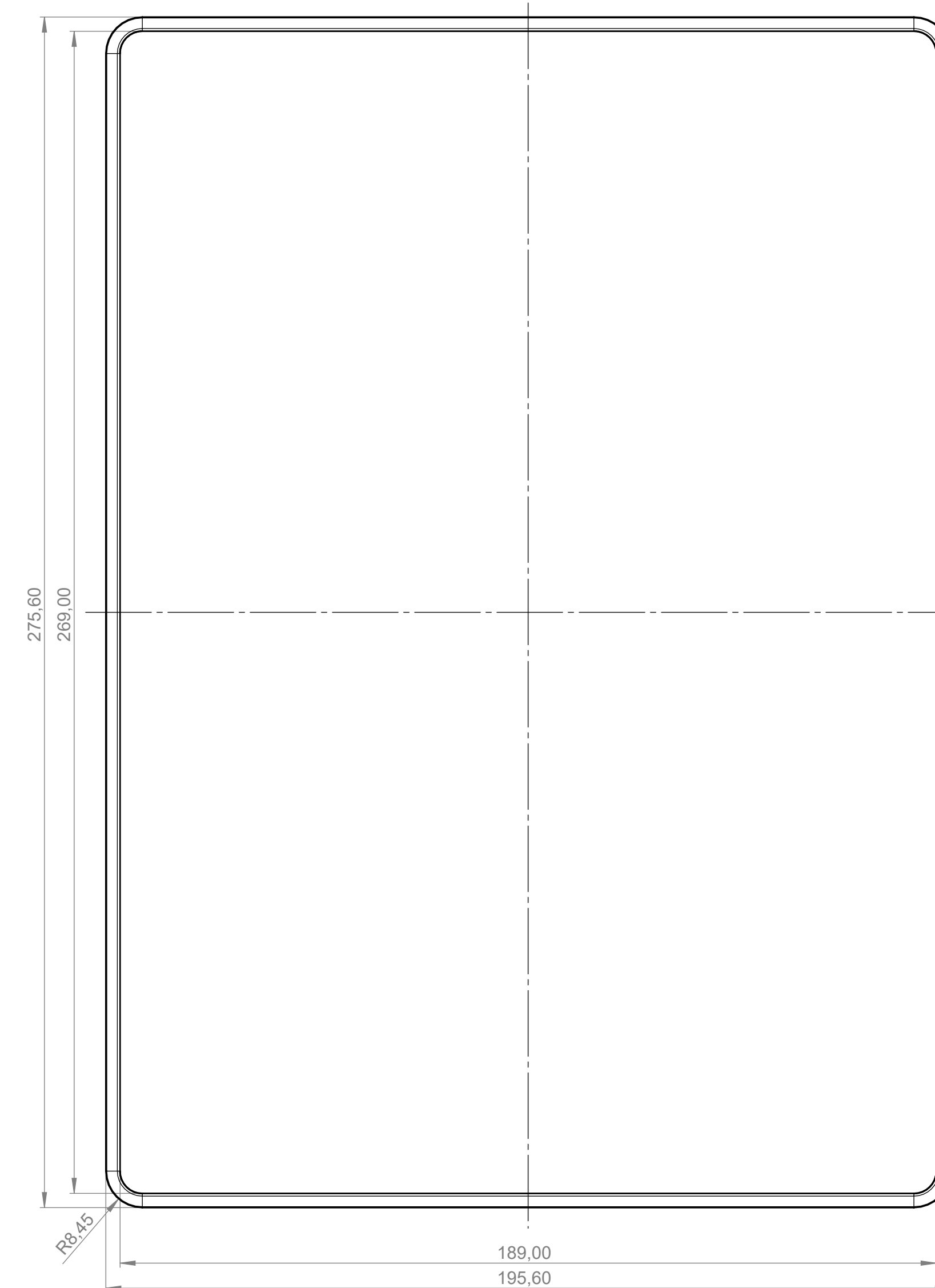
Batteriefach  
Battery compartment  
B 41 46 047



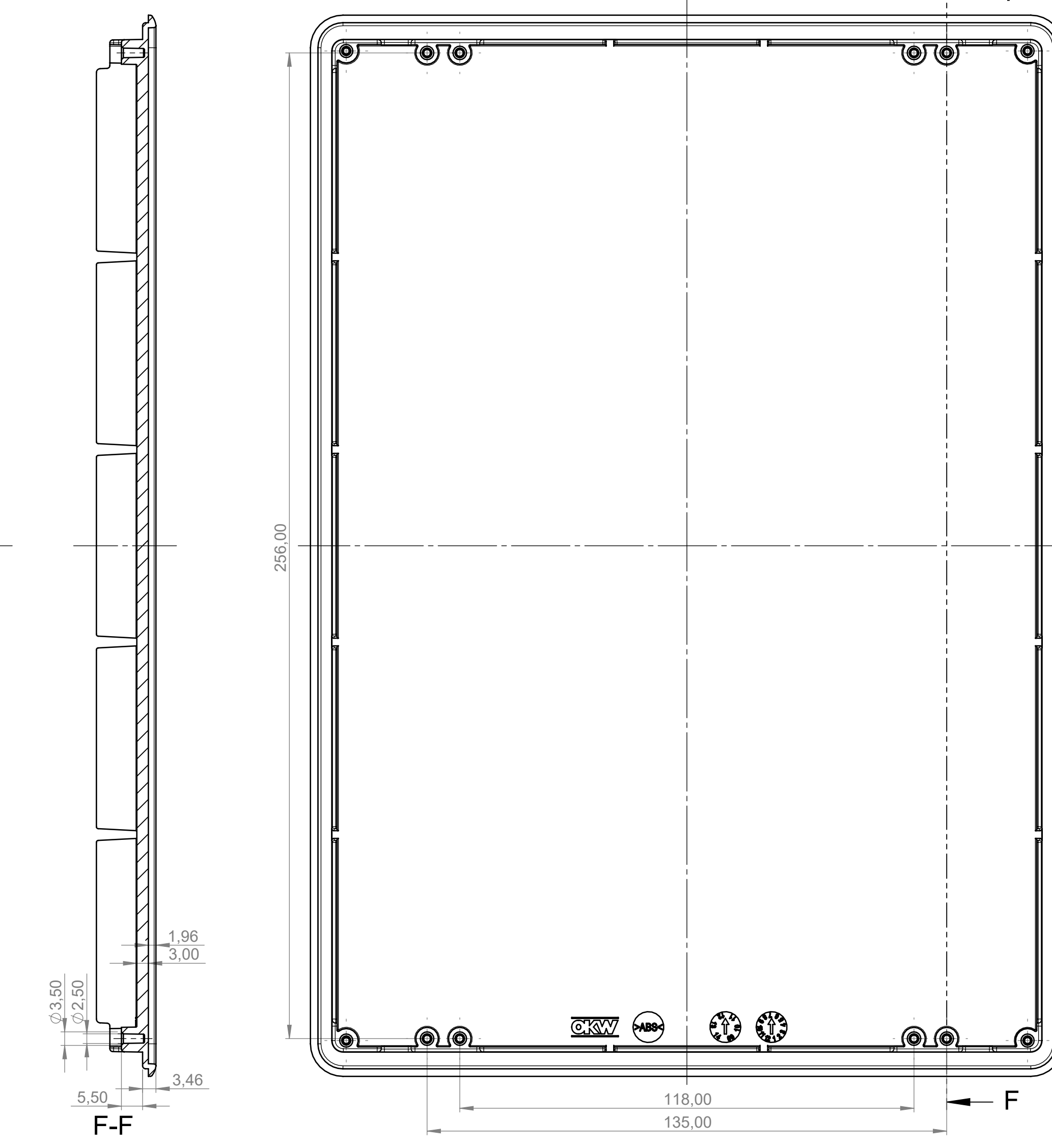
Bodenplatte mit Rastleisten  
Bottom panel with snap-in strips  
B 41 46 257



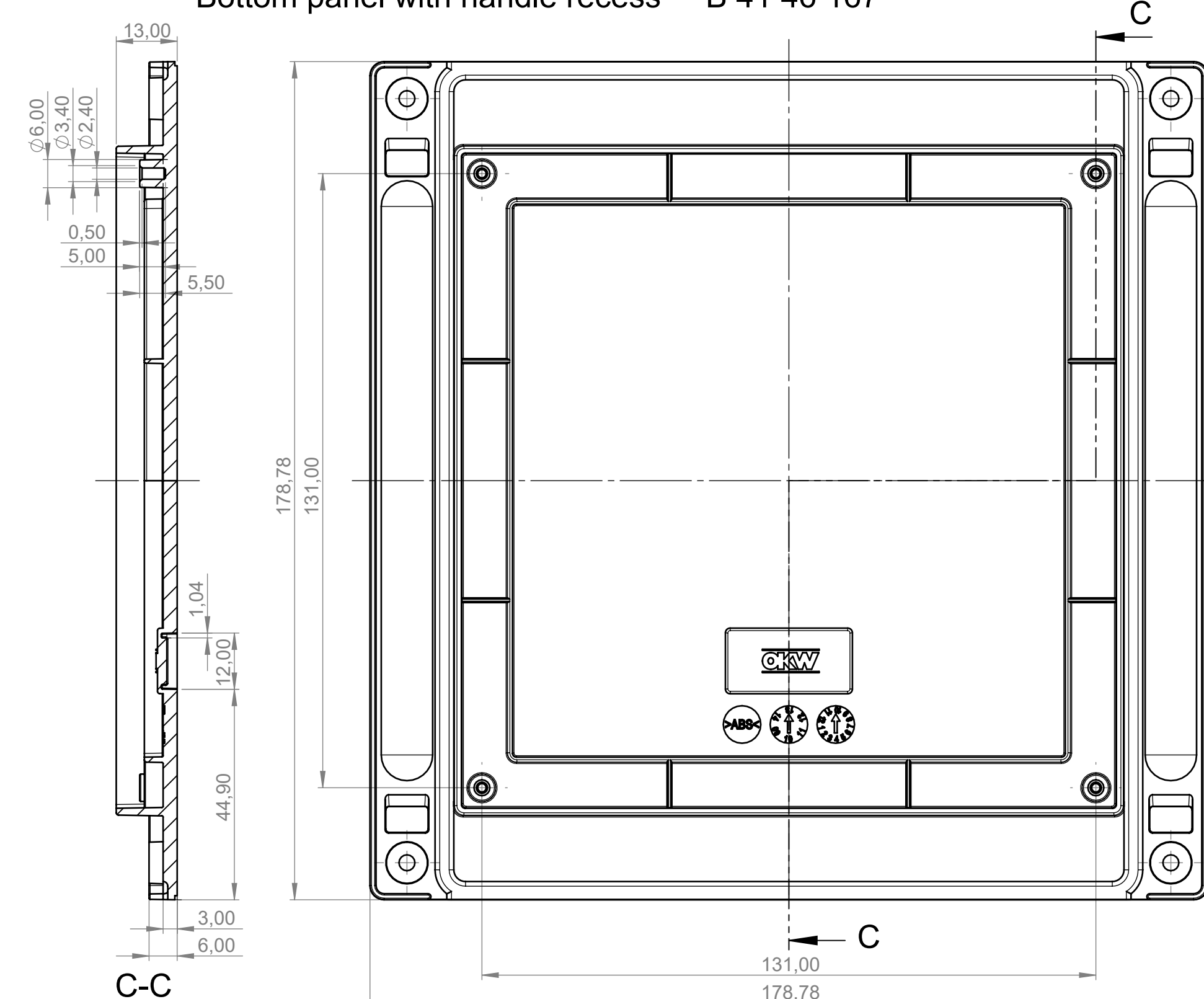
Frontplatte ABS  
Aussenansicht  
Front panel ABS  
outside view  
B 41 46 107



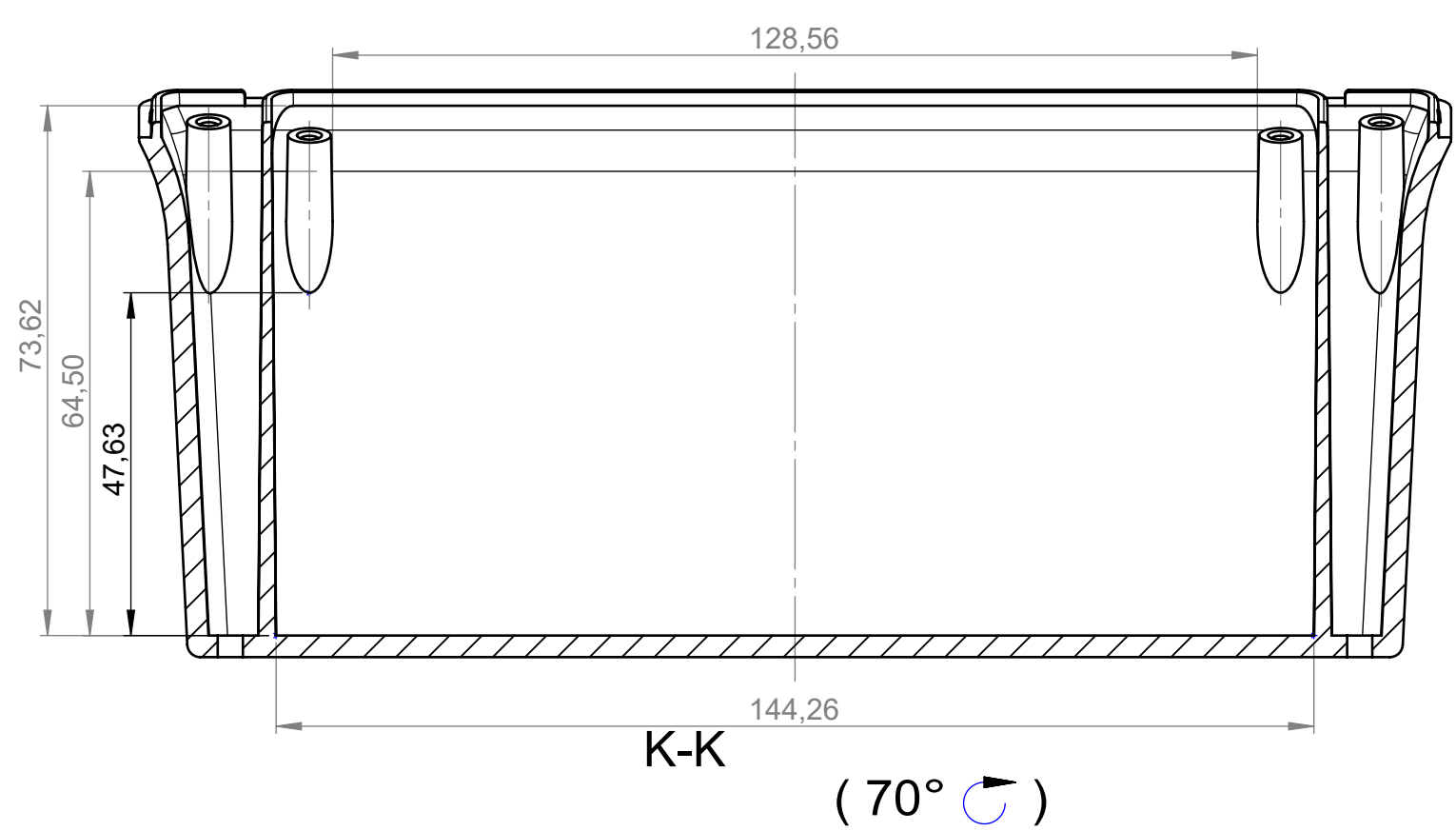
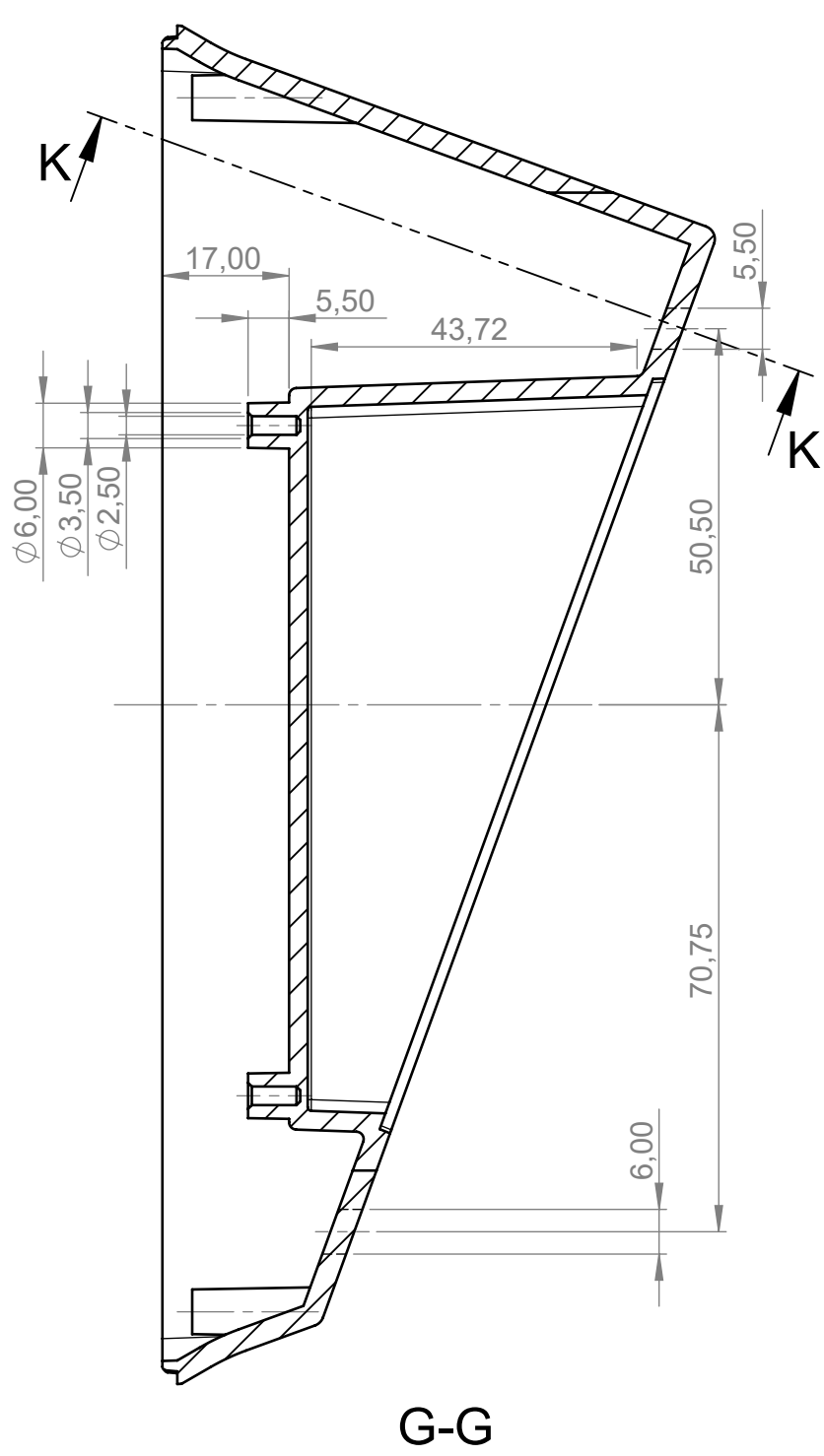
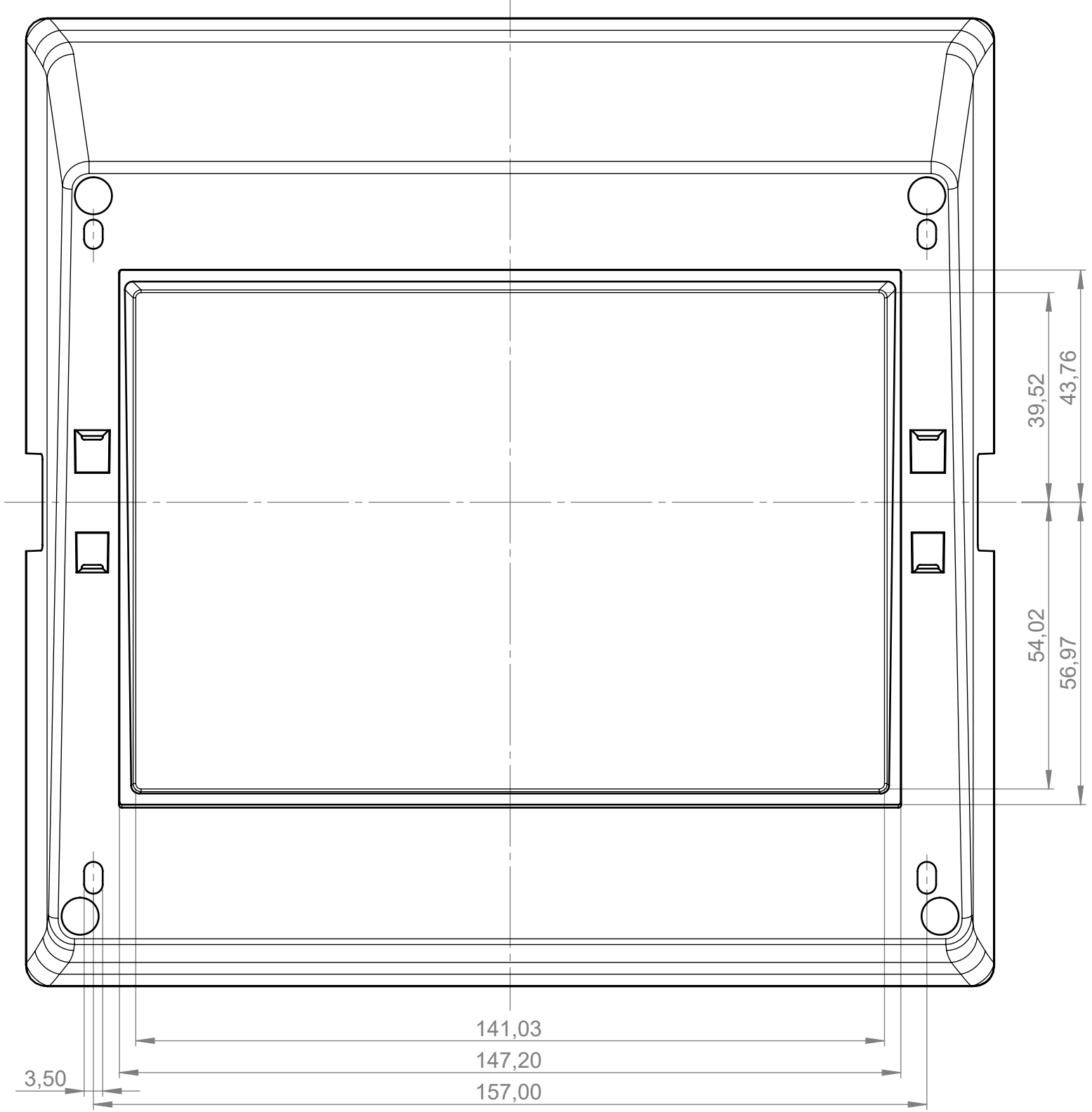
Frontplatte ABS  
Innenansicht  
Front panel ABS  
inside view  
B 41 46 107



Bodenplatte mit Griffmulde  
Bottom panel with handle recess  
B 41 46 167



Socket  
Base B 40 46 8\*7



Socket cover for locking  
Base cover

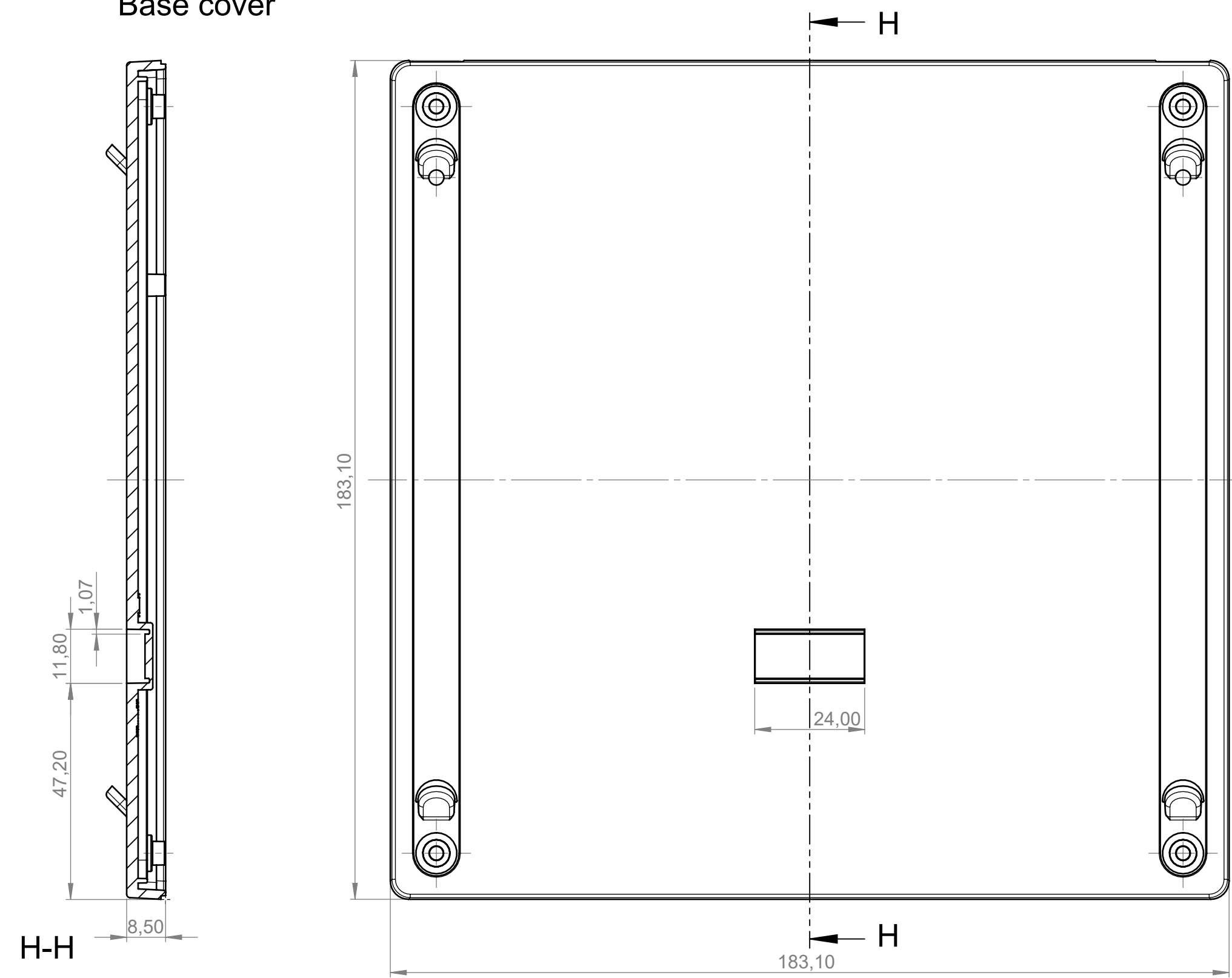


Plate socket  
PCB base

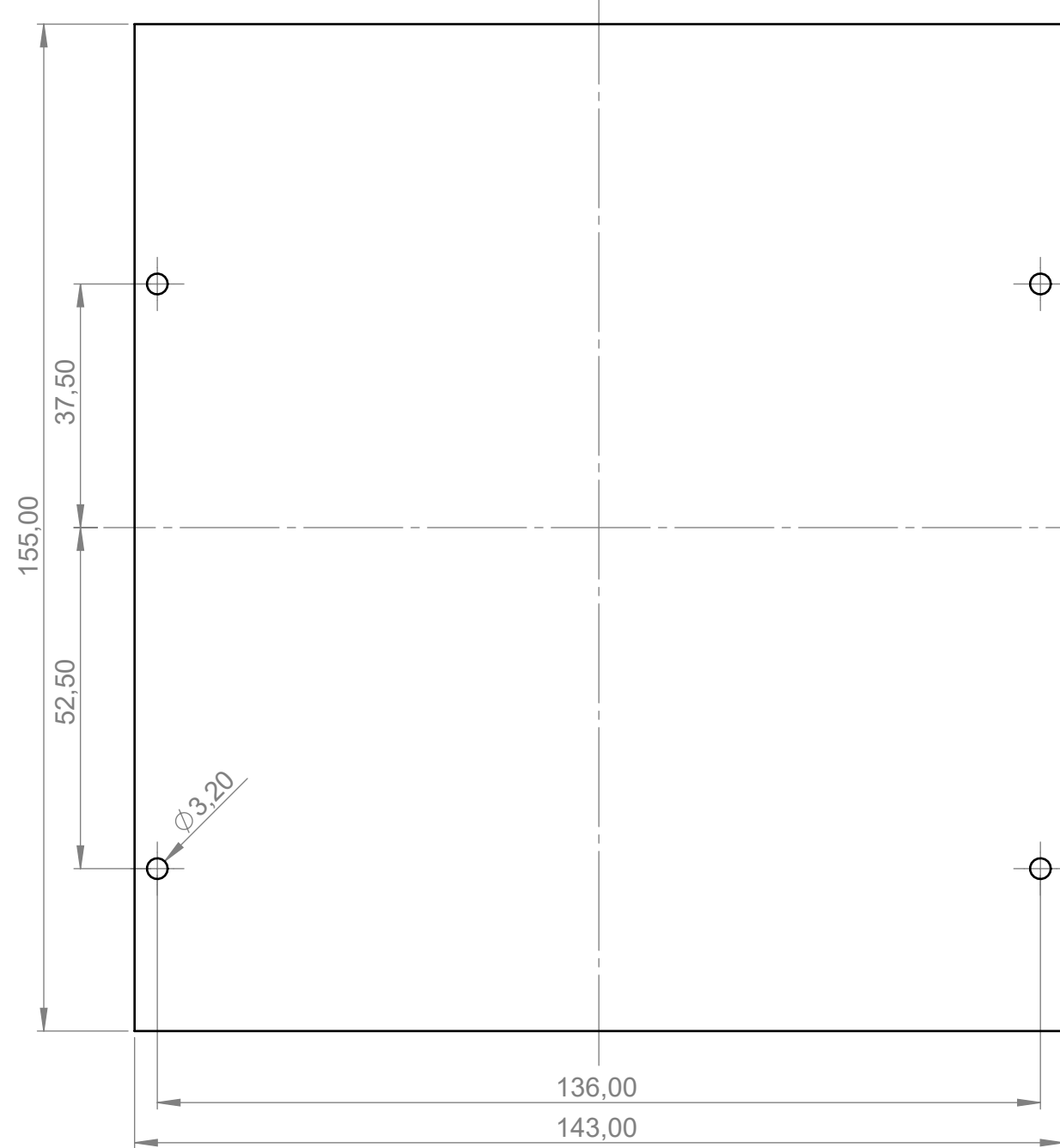


Plate lower part  
PCB bottom part

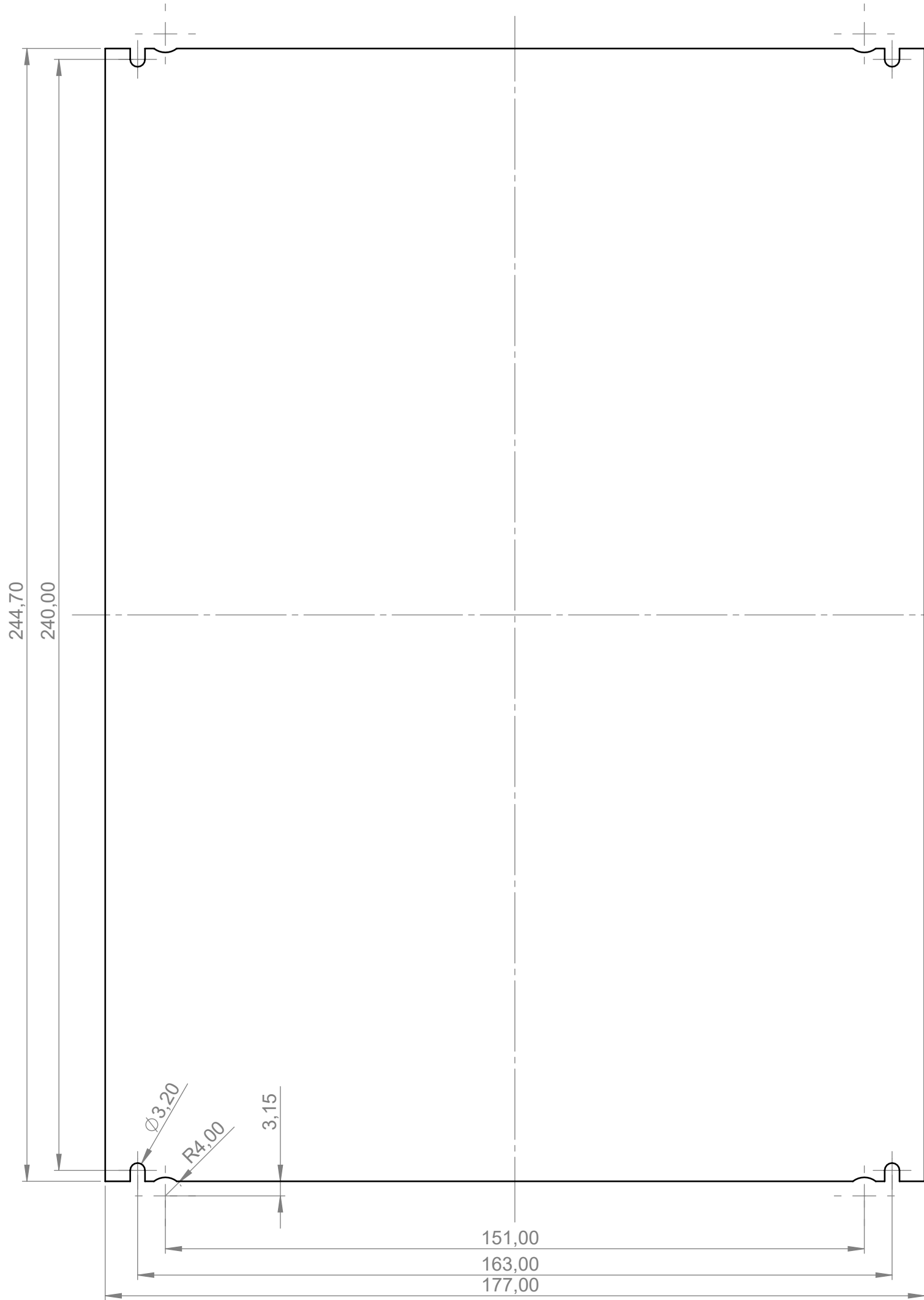
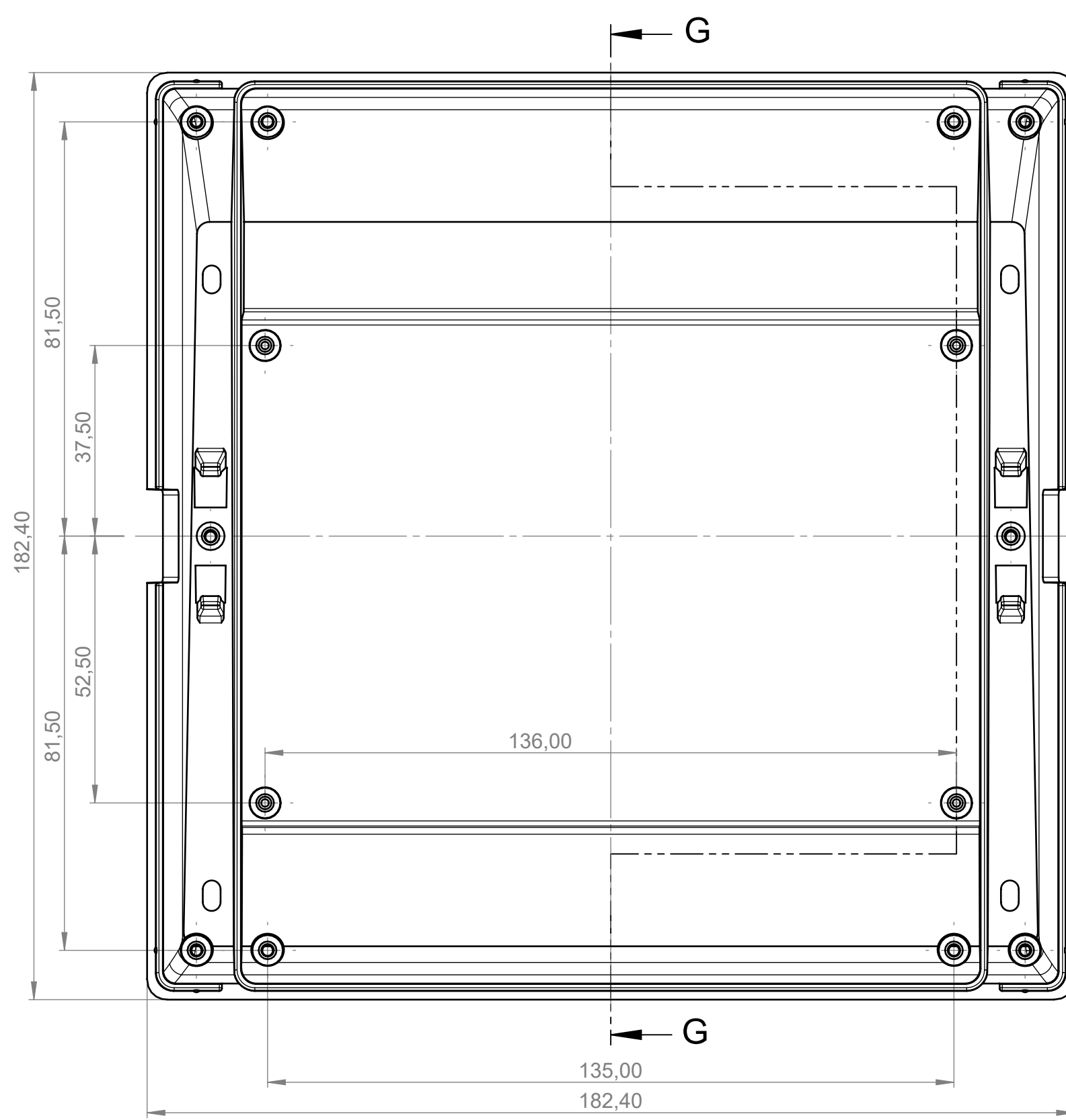
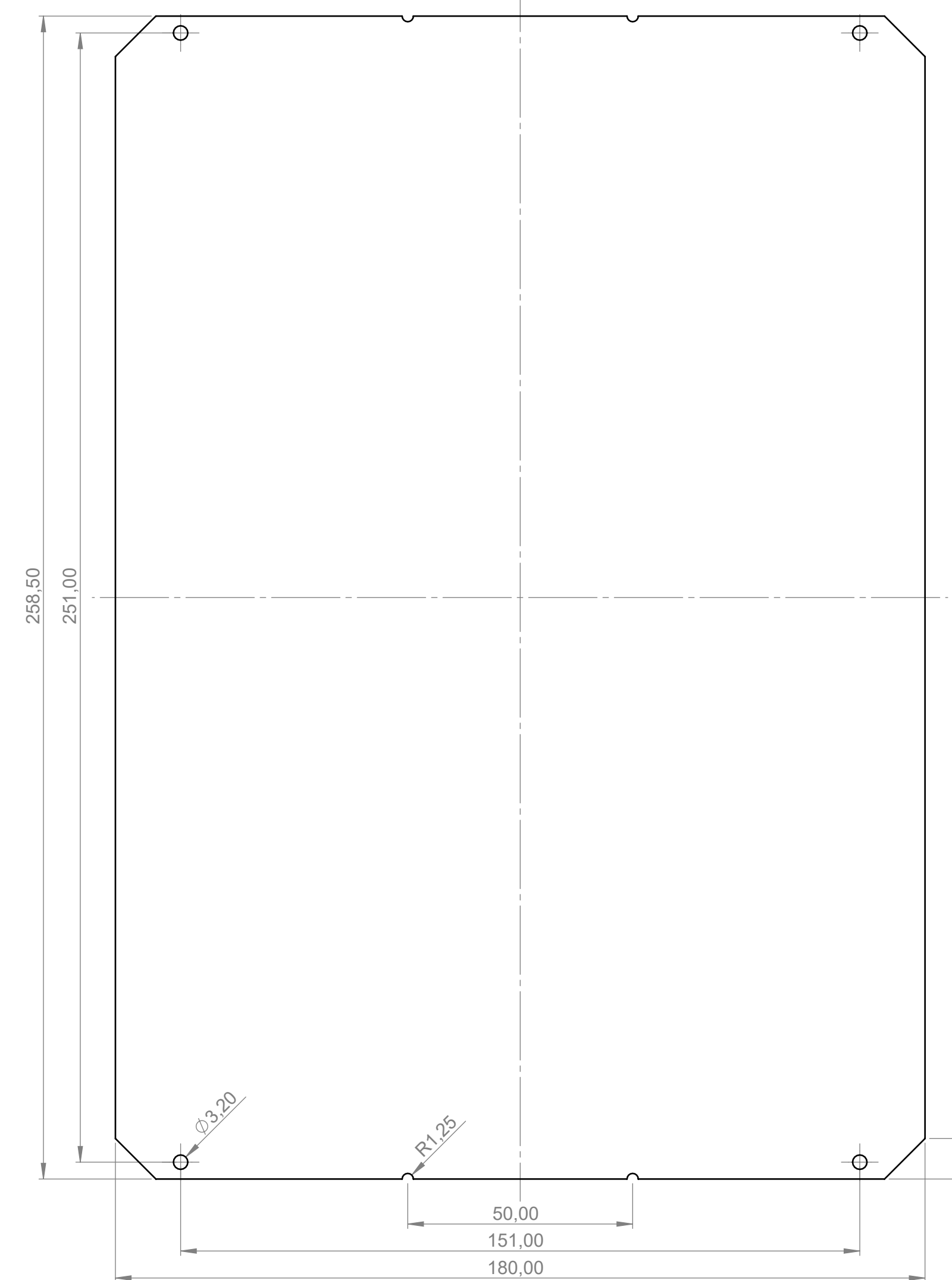
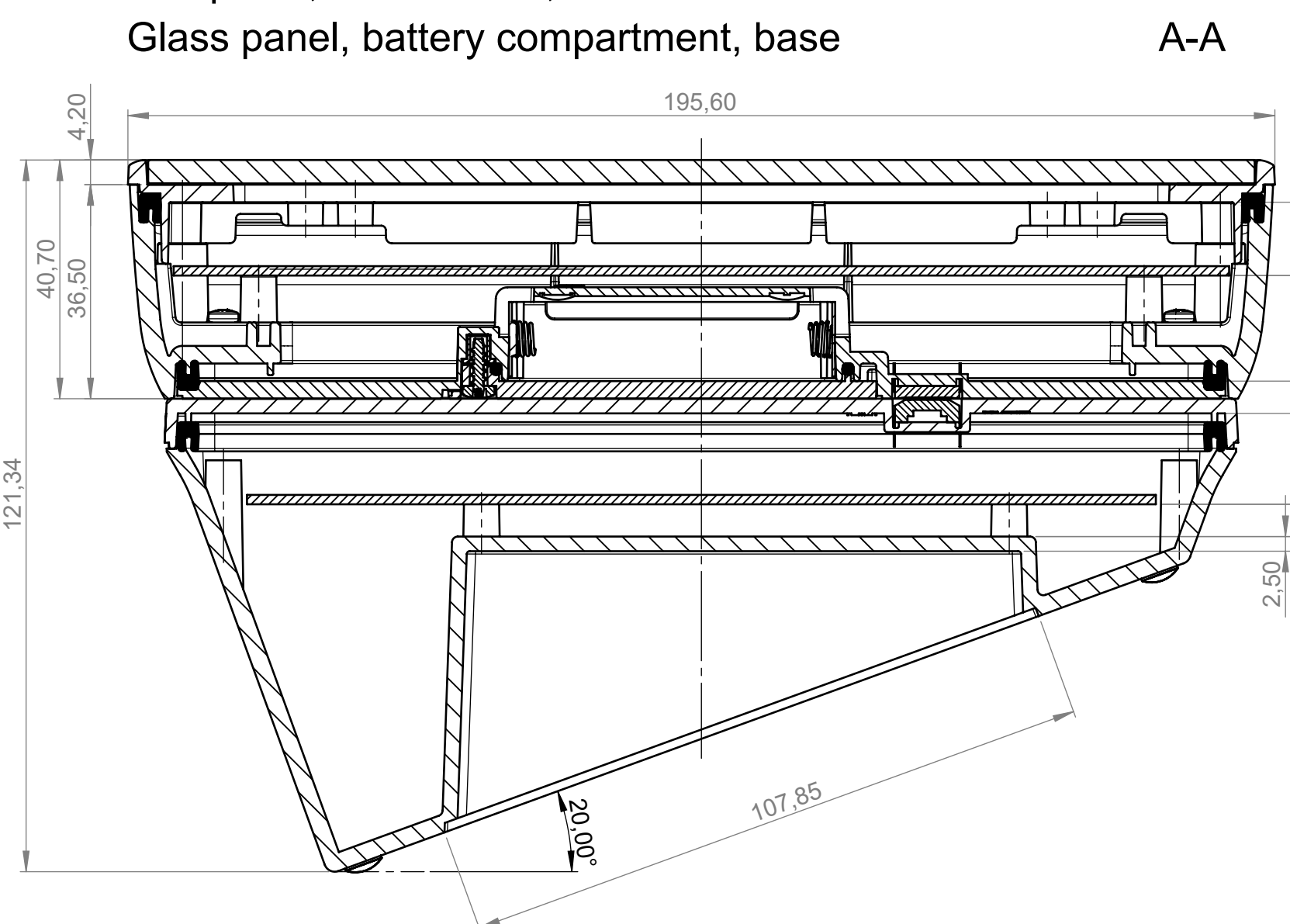


Plate lower part with battery compartment  
PCB bottom part with battery compartment

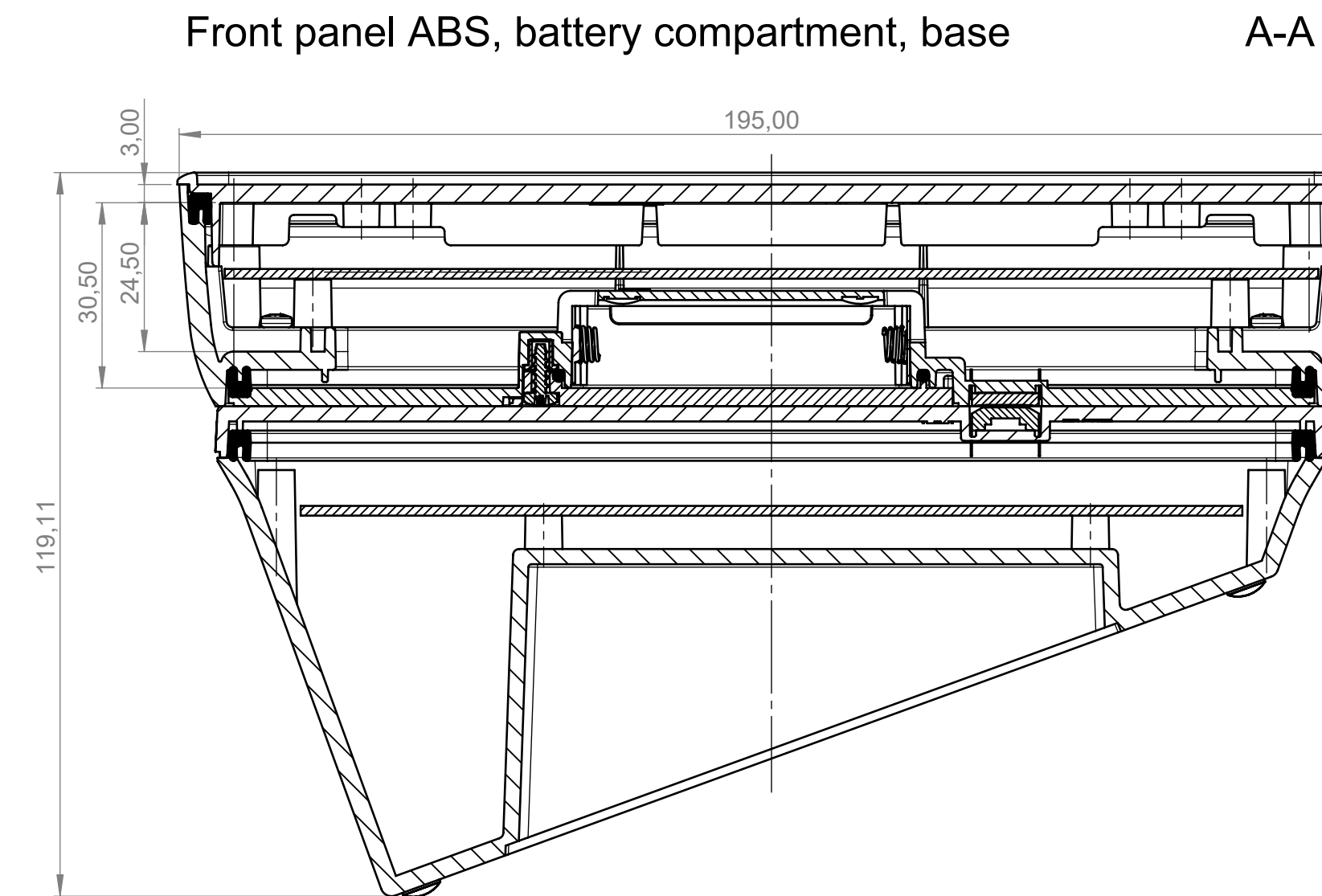


Upper part high, version II  
Bottom part high, vers. II

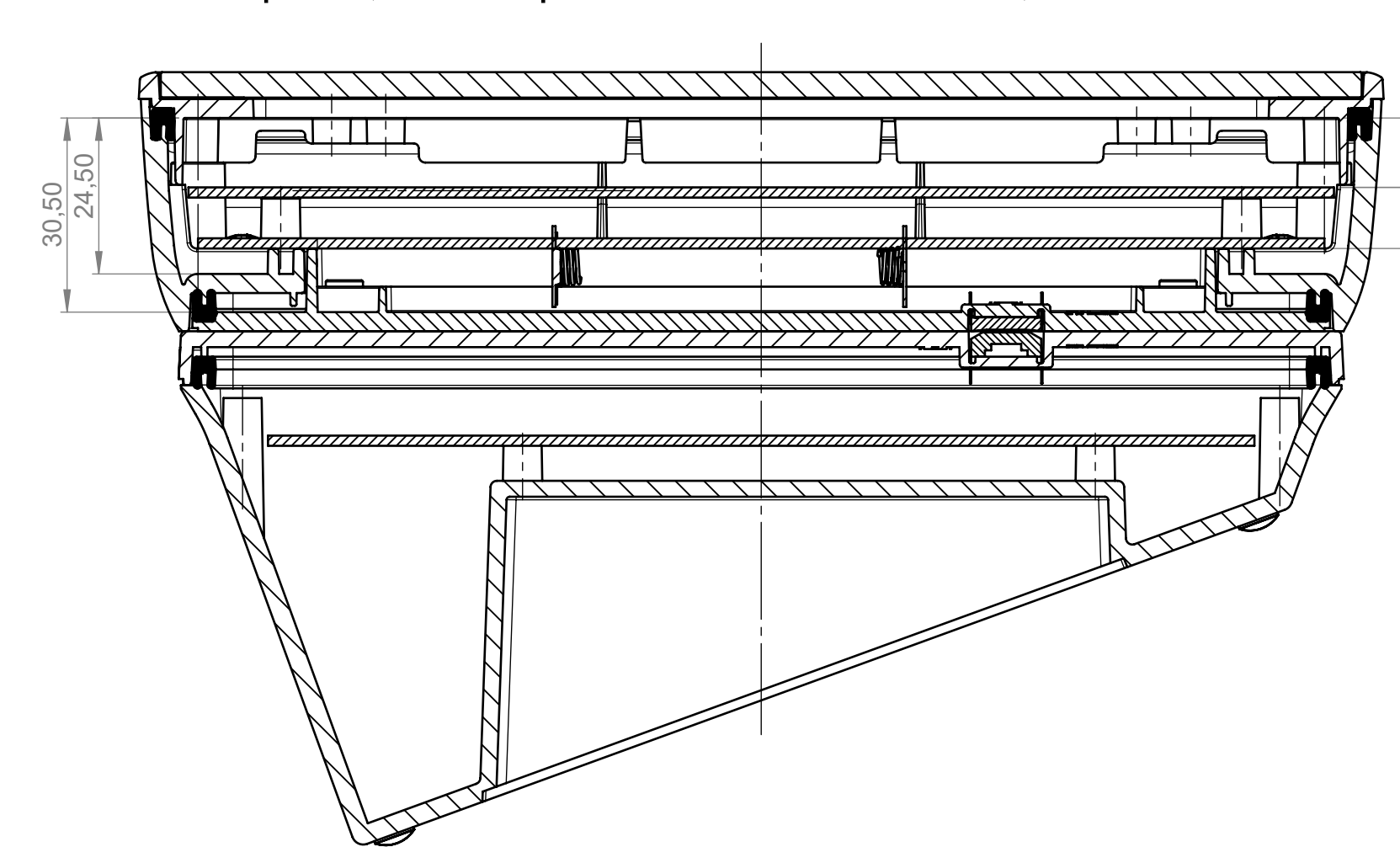
Glass panel, battery compartment, base  
Glass panel, battery compartment, base



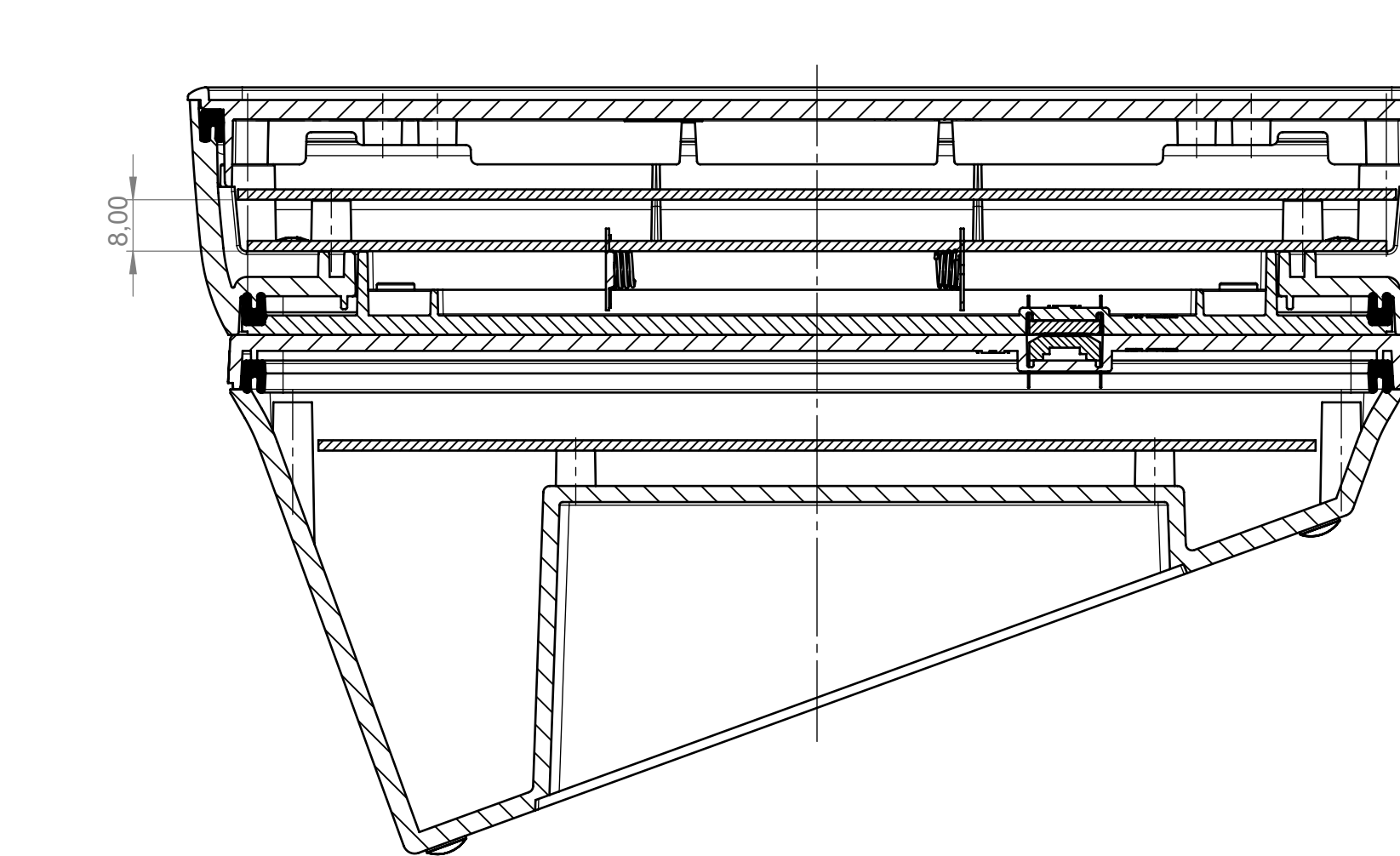
Front panel ABS, battery compartment, base  
Front panel ABS, battery compartment, base



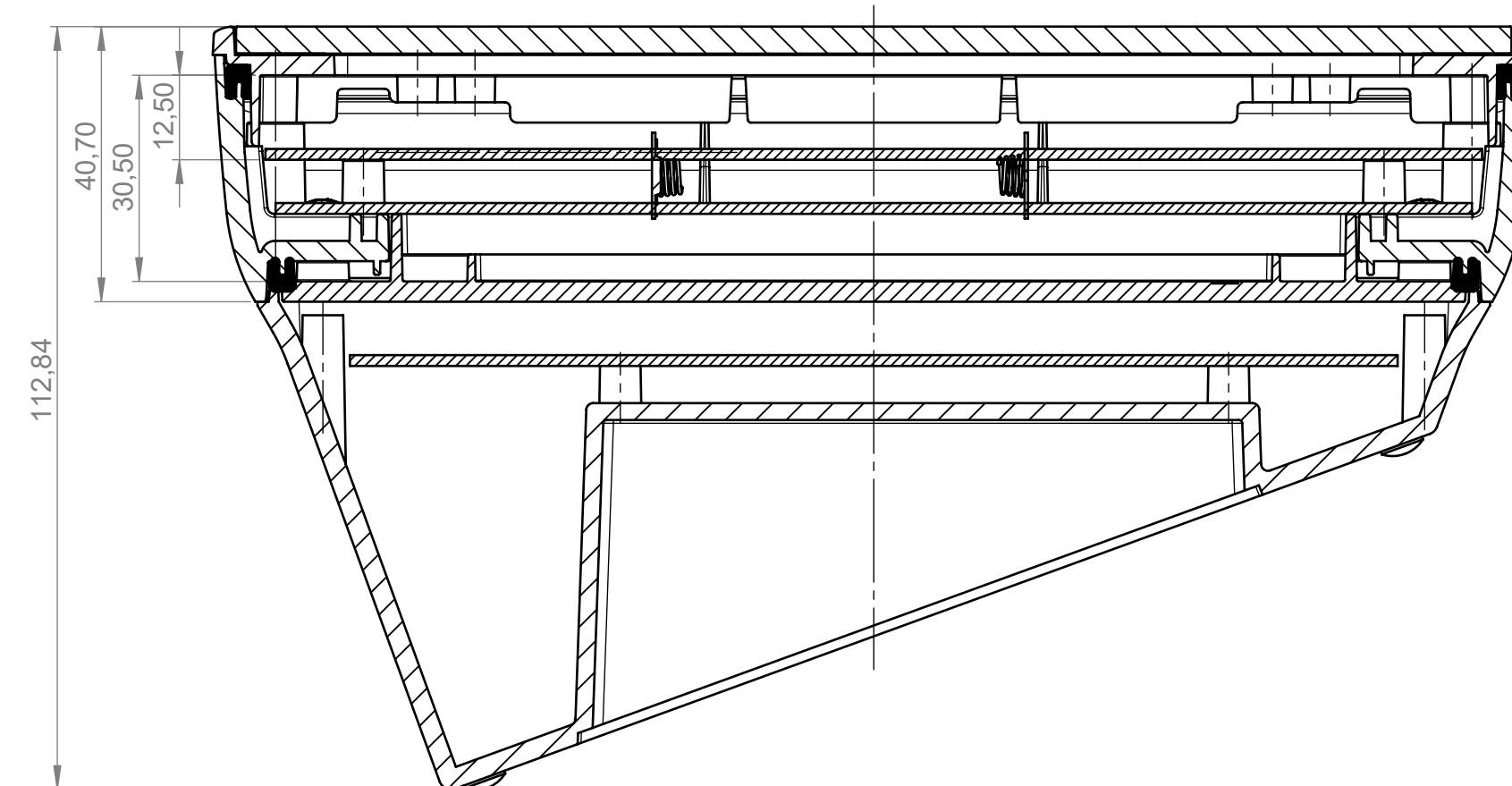
Glass panel, bottom panel with handle recess, base  
Glass panel, bottom panel with handle recess, base



Front panel ABS, bottom panel with handle recess, base  
Front panel ABS, bottom panel with handle recess, base



Glass panel, bottom panel with snap-in strips, base  
Glass panel, bottom panel with snap-in strips, base



Front panel ABS, bottom panel with snap-in strips, base  
Front panel ABS, bottom panel with snap-in strips, base

